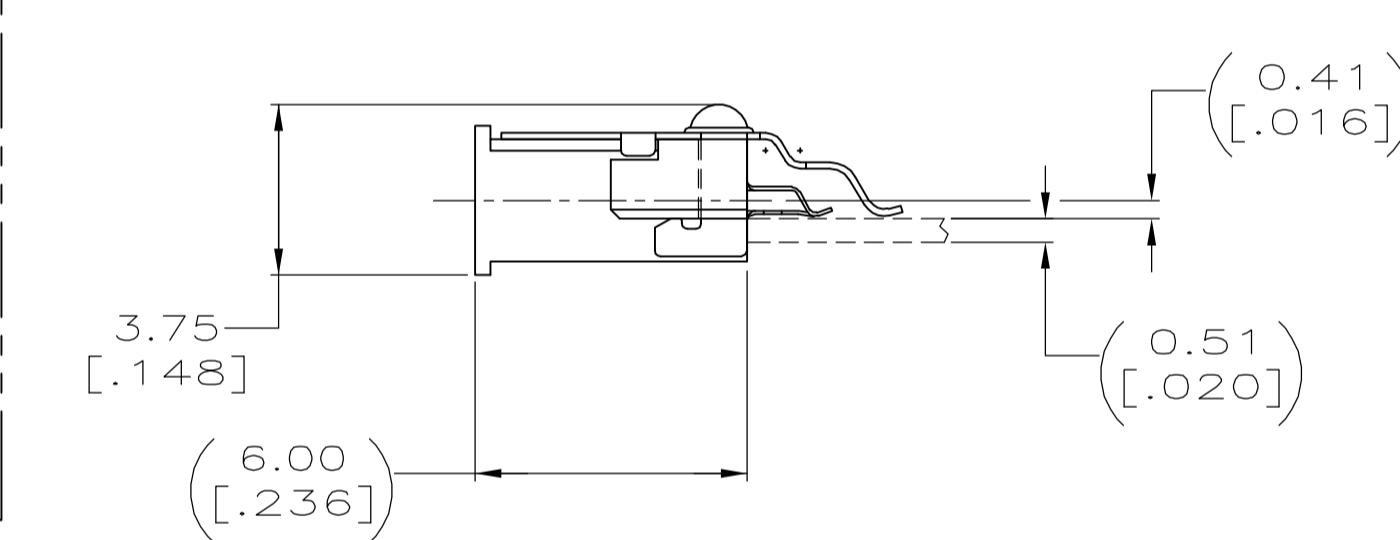
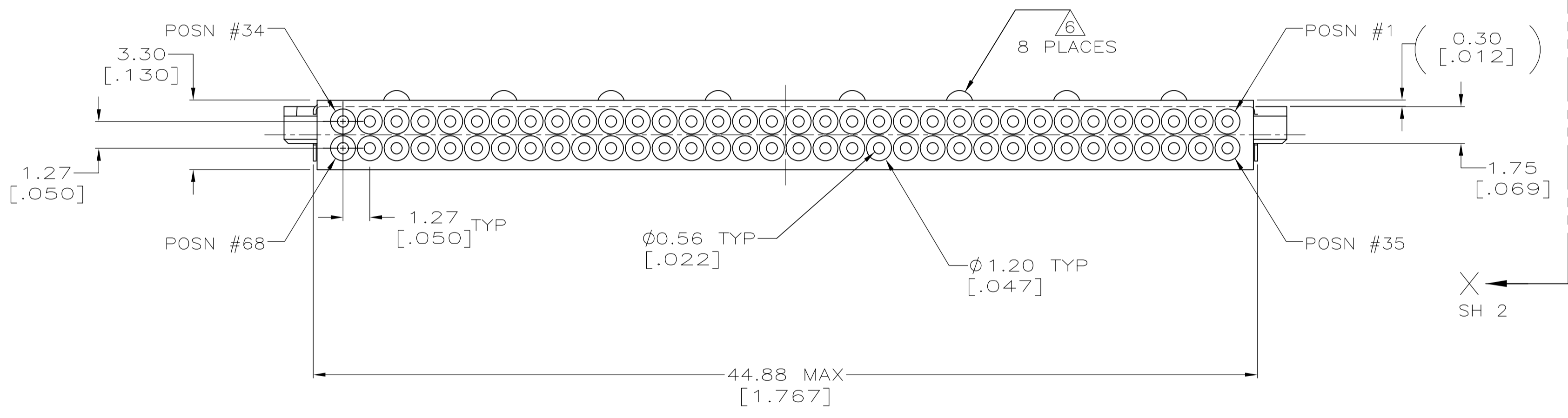
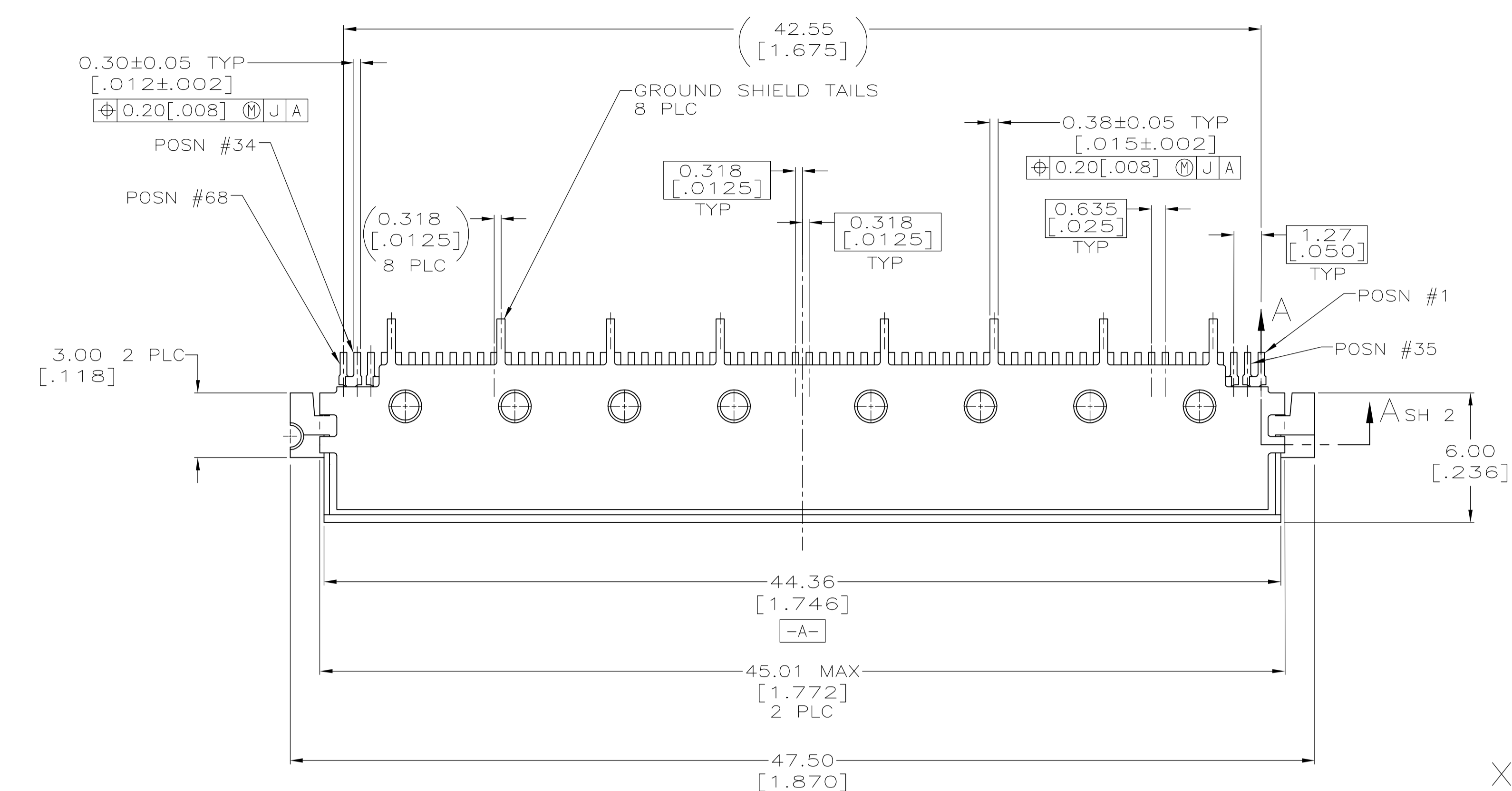
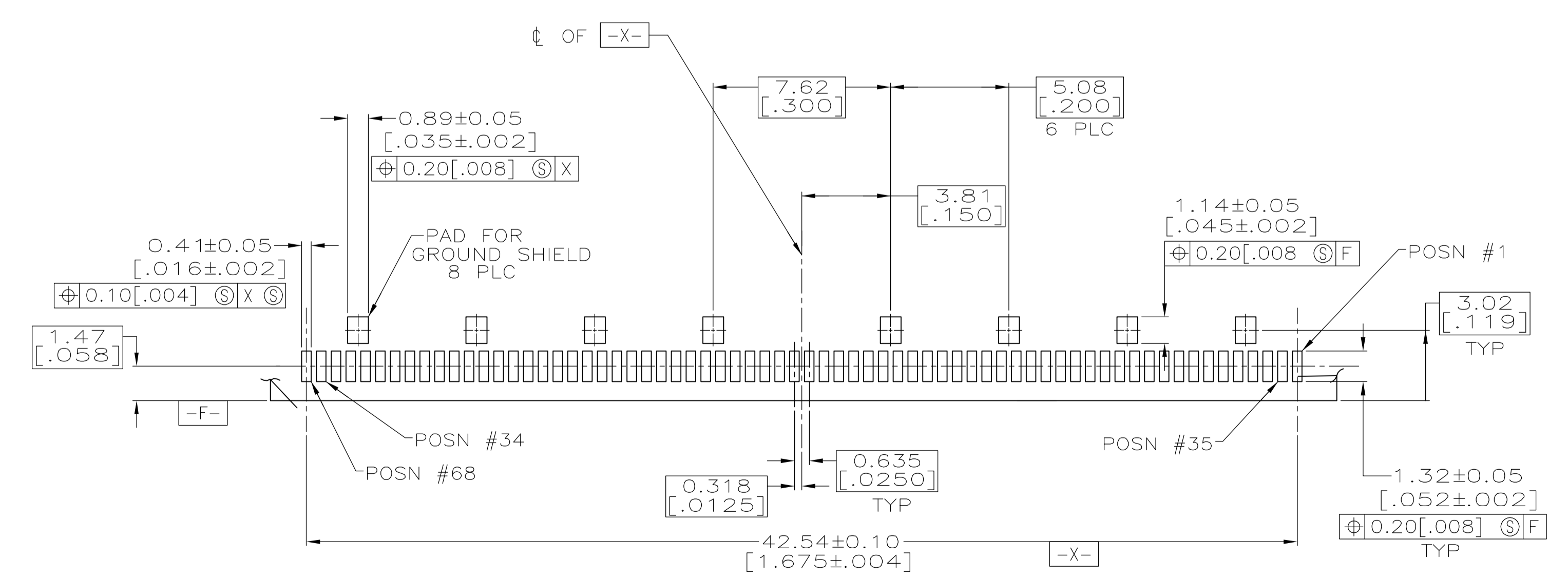


LOC		DIST		REVISIONS			
GP	00	P	LTR	DESCRIPTION	DATE	OWN	APVD
0				RELEASED PER EC 0513-0006-05	02-21-05	GA	JG



- 1 HOUSING: LCP, GLASS FILLED, COLOR: BLACK.
- 2 CONTACTS: BERYLLIUM COPPER; SHIELD: BRASS.
- 3 DIMENSION IN REFERENCE TO LOWEST POINT OF EACH LEAD.
- 4 POINT OF CONTACT 2.3[.091] REF FROM MATING FACE.
- 5 APPLIES TO 68 SIGNAL TAILS ONLY.
- 6 LOCALIZED PLATING AREA "A".
- 7 LOCALIZED PLATING AREA "B".
- 8 PACKAGED IN TUBES.
- 9 PACKAGED IN 56mm WIDE TAPE AND PLASTIC REEL.
- 10 PACKAGED IN 72mm WIDE TAPE AND PLASTIC REEL.
- 11 CONTACTS: 0.00076[.000030] MINIMUM GOLD ON MATING AREA, 0.00064[.000025] MINIMUM SEMI-BRIGHT NICKEL ON MATING AREA, 0.00254[.000100] MINIMUM MATTE TIN ON SOLDER TAIL, ALL OVER 0.00127 [0.000050] MINIMUM MATTE NICKEL.
- 12 SHIELD: 0.00076[.000030] MINIMUM GOLD IN LOCALIZED PLATING AREA "A", 0.00013[.000005] MINIMUM GOLD IN LOCALIZED PLATING AREA "B", ALL OVER 0.00127 [0.000050] MINIMUM MATTE NICKEL.



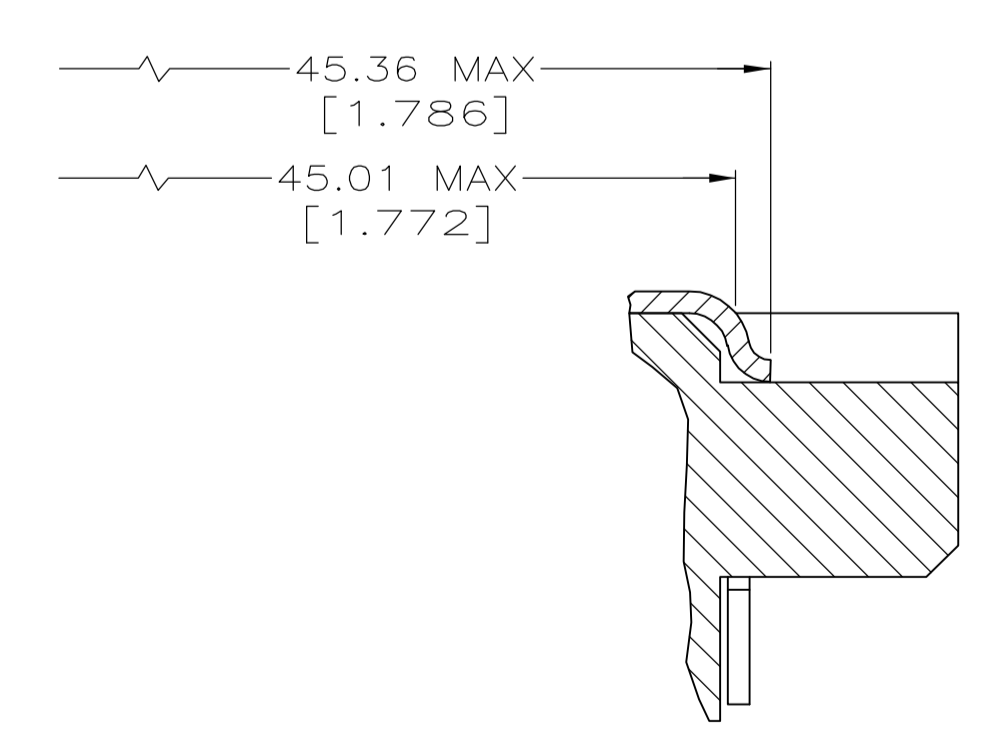
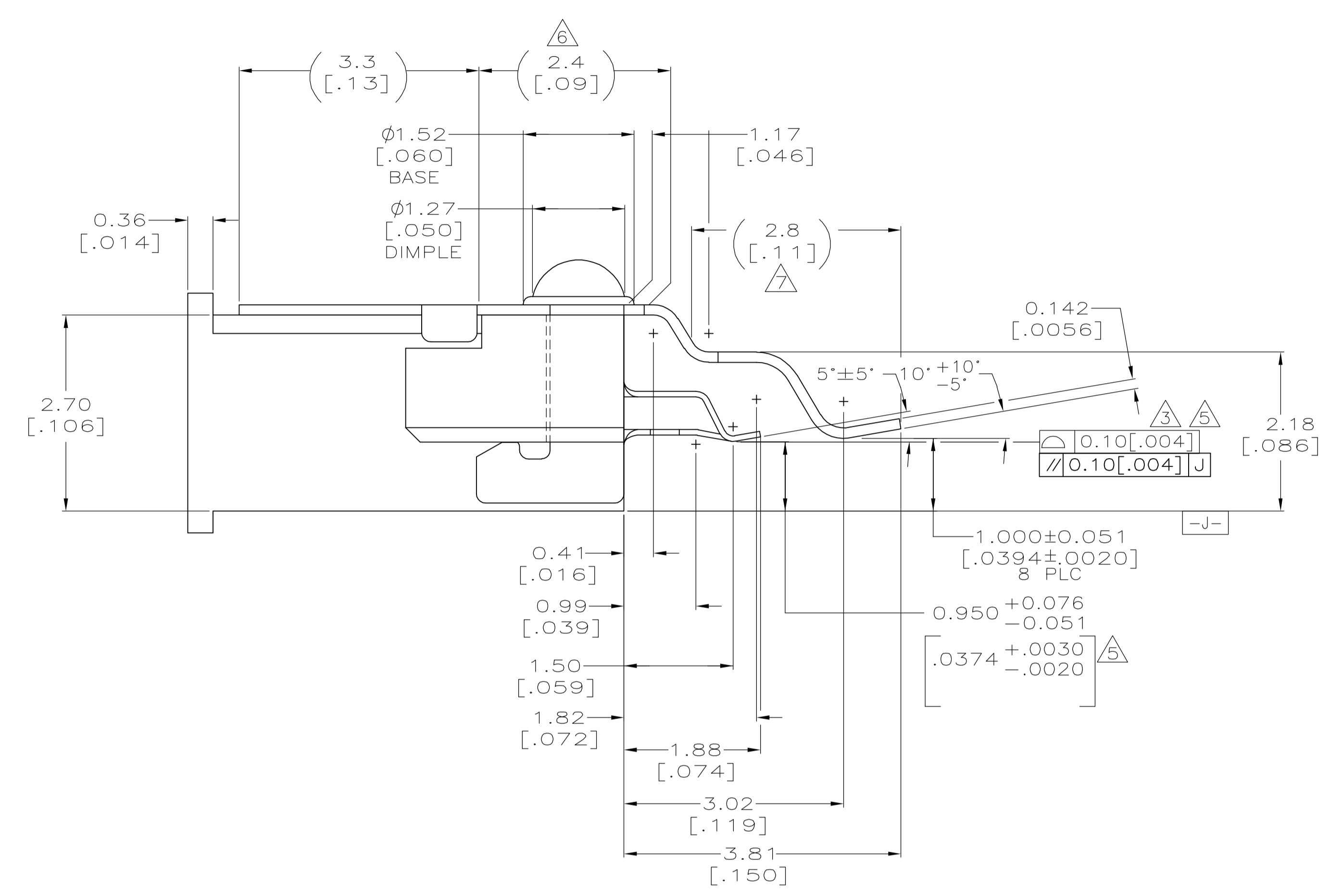
SUGGESTED PC BOARD LAYOUT

**COPYRIGHT 2005
 TYCO ELECTRONICS CORP
 ALL RIGHTS RESERVED**

9	5146777-5
10	5146777-4
PACKAGING	PART NUMBER

THIS DRAWING IS A CONTROLLED DOCUMENT.		DIN G ATTADIA - 02-21-05		Tyco Electronics Corporation	
DIMENSIONS: mm[inches]		CHK D GORENC 02-21-05		Harrisburg, PA 17105-3608	
TOLERANCES UNLESS OTHERWISE SPECIFIED:		APVD M WALMSLEY 02-21-05		NAME	
0 PLC ± -	1 PLC ± -	PRODUCT SPEC		RECEPTACLE ASSEMBLY, SMT, 68 POSN, 6mm/.236 IN, 0.41mm/.016 INCH OFFSET, AMP PC CARDBUS	
2 PLC ± ± 0.13[.005]	3 PLC ± ± -	APPLICATION SPEC		SIZE	
4 PLC ± ± -	ANGLES ± ± -	WEIGHT		A1 00779 C=5146777	
MATERIAL	FINISH	CUSTOMER DRAWING		SCALE 6:1 SHEET 1 OF 2 REV 0	

LOC		DIST		REVISIONS			
P	LTR	DESCRIPTION	DATE	DNW	APVD		
0		SEE SHEET 1	-	-	-		



**COPYRIGHT 2005
 TYCO ELECTRONICS CORP
 ALL RIGHTS RESERVED**

THIS DRAWING IS A CONTROLLED DOCUMENT.		DIN G. ATTADIA - 02-21-05		Tyco Electronics Corporation Harrisburg, PA 17105-3608	
DIMENSIONS: mm[inches]		CHK D. GORENC - 02-21-05		NAME RECEPTACLE ASSEMBLY, SMT, 68 POSN, 6mm/.236 IN, 0.41mm/.016 INCH OFFSET, AMP PC CARDBUS	
TOLERANCES UNLESS OTHERWISE SPECIFIED:		APVD M. WALSMLEY - 02-21-05	PRODUCT SPEC	APPLICATION SPEC	RESTRICTED TO
0 PLC ± - 1 PLC ± - 2 PLC ± 0.13[.005] 3 PLC ± - 4 PLC ± - ANGLES ± °		MATERIAL SEE SHEET 1	FINISH SEE SHEET 1	WEIGHT -	SCALE 6:1
CUSTOMER DRAWING		SIZE A1	CAGE CODE 00779	DRAWING NO C=5146777	SHEET 2 OF 2
		REV 0			